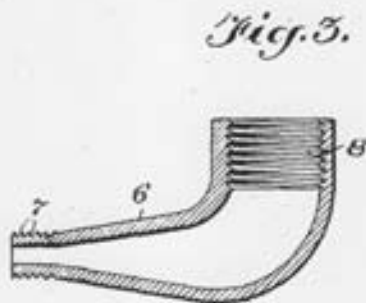
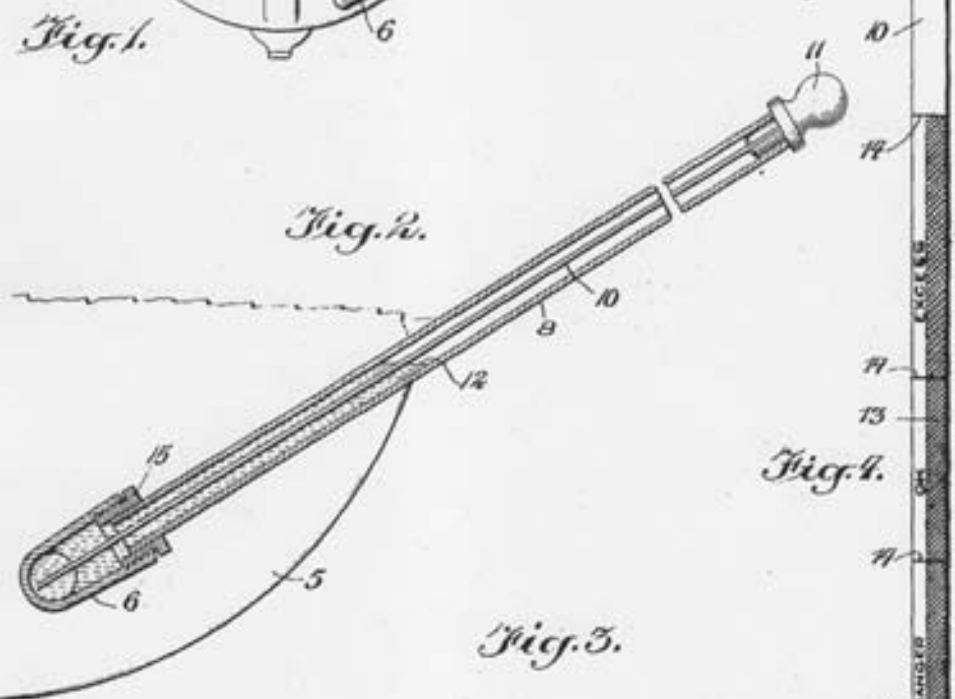
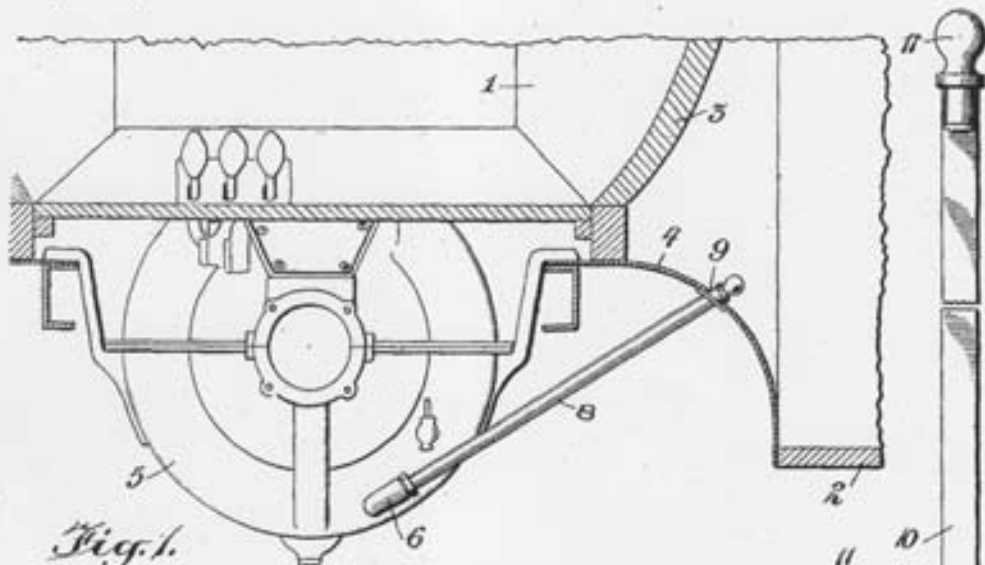


G. H. WALLACE.
OIL GAGE FOR AUTOMOBILES.
APPLICATION FILED AUG. 29, 1919.

1,354,788.

Patented Oct. 5, 1920.



WITNESSES
James Taylor
W. P. Foster

INVENTOR
George H. Wallace
BY *McConnell*
ATTORNEYS