



Texas T Parts

711 Ashford Hills Drive
Bryan, Texas 77801

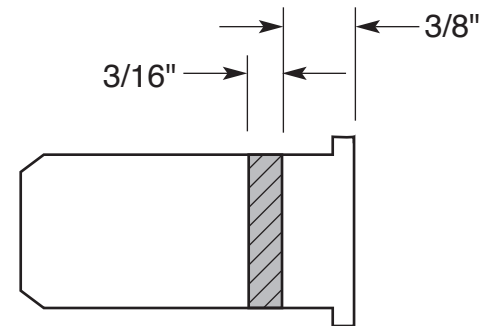
(979) 260-5433 1-800-337-6977
Fax (979) 260-1214
www.TexasTParts.com

Note our
New Address
Everything else
remains the same.



Starter Shaft Seal Installation Instructions Item# T5105-OS

Remove the rear starter bushing (Part # T5105) from the housing. Cut the bushing as shown in the sketch. (If your bushing is badly worn, now is a good time to replace it.) After cutting the bushing push it back into the housing with the seal between the two halves of the bushing. The lip of the seal should be toward the long half. If you are using your old bushing, reinstall it with the oil hole up or you will still have a leak. If you are using a new bushing, DO NOT DRILL AN OIL HOLE.



If you like our products, tell your friends. If you have a question or a problem, let us know.

Thanks, and Smooth Running,

TEXAS 'T' PARTS

LIMITED WARRANTY

Texas 'T' Parts will repair or replace any part that we manufacture, for a period of 90 days from the date of purchase, that wears out or breaks.

Since we don't install parts, the part must be installed on the type of individually owned and operated passenger vehicle for which it is designed. Of course, we cannot replace a part whose failure was caused by another faulty part, low fluid, or other abuse.

Return any part directly to us, along with a copy of the sales receipt showing the date of purchase, and \$5 to cover shipping & handling. Do not return parts to your dealer.

That's what our warranty means in plain English, but we regret we must include this legalese, too: THIS LIMITED WARRANTY REPRESENTS THE TOTAL LIABILITY OF TEXAS 'T' PARTS FOR ANY WARRANTED PART, AND TEXAS 'T' PARTS MAKES NO OTHER WARRANTIES, EXPRESS OR IMPLIED, INCLUDING THE IMPLIED WARRANTIES OF MERCHANTABILITY OR FITNESS FOR A PARTICULAR PURPOSE. TEXAS 'T' PARTS SHALL NOT BE LIABLE FOR ANY INDIRECT, SPECIAL, INCIDENTAL, OR CONSEQUENTIAL DAMAGES. Texas 'T' Parts reserves the right, at its option, to refund the customer's money instead of replacing a part. This warranty does not cover parts that are installed on marine, off-road, commercial, or government vehicles, or stationary units.